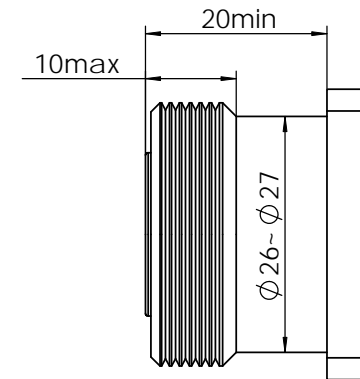
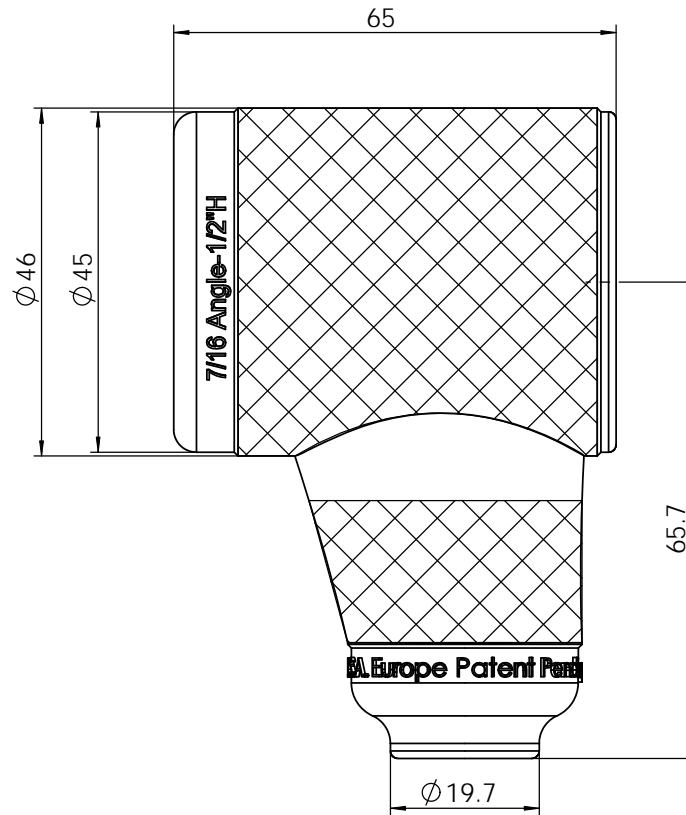


REVISIONS		
REV	DESCRIPTION	DATE
1	Add note 6	2020.1.2



1. UV resistant (1120W/960 h)
2. Life: 10 years
3. Working temperature: -55 °C~+155 °C
4. Acid alkali resistant
5. Waterproofing standard IP68/IP66
6. This boot needs to be installed **before** cable jumper assembly.

DRAWN	TITLE			Amphenol AMPHENOL FUYANG CO.,LTD CHANGZHOU, CHINA		
CHECKED	WPS boot, 7/16 male right angle for 1/2" superflex cable					
APPROVED	SHEET	SCALE	METRIC	PART NO.		
	1/1	1.5/1	mm	AF2040527		
				AFS-2040527		
				0 1		